

HS115 HEATSAVR AUTOMATIC METERING SYSTEM

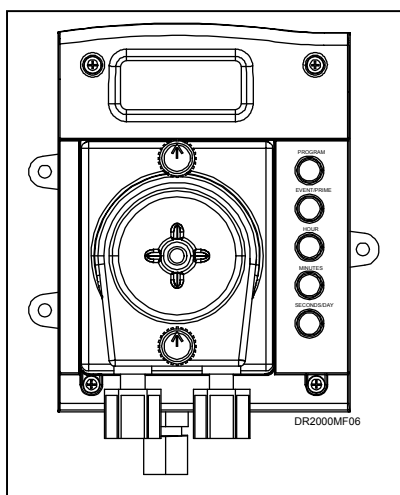
OVERVIEW

The HS115 is an Automatic Metering System for the application of Heatsavr™, the liquid pool cover. It is a reliable, accurate, inexpensive way to ensure that your pool receives all the energy savings possible from using Heatsavr™.

The HS115 is a time-activated water-resistant peristaltic pump for industrial applications. Up to 24 events may be programmed with variable run times for each event from one second to 20 minutes. The HS115 operates a 7-day clock in which events can be programmed to occur every day or only on particular days throughout the week. A back up battery keeps the clock running in the event of an interruption in the electrical power. The Automatic Metering System is sold complete with a pump tube installed and additional accessories included. The HS115 is available for use with 115VAC, 230VAC or with a D-cell battery pack.



SPECIFICATIONS



Operating Conditions

Ambient Operating Temperature – 35 to 104°F (5 to 40 °C)
Humidity – 0 to 100% relative humidity

Electrical Power

115VAC 50/60 Hz +/-10%
230VAC 50/60 Hz +/-10%
4 D-cell battery powered

Timing Capabilities

Up to 24 different times; daily, weekly or mixed schedule.
Variable run time 1 second to 19 minutes and 59 seconds.

Components

Enclosure – Molded ABS plastic, water-resistant, flame-resistant
Pump – 6 Volt DC Peristaltic, self-priming and self-checking.

Speed and Displacement

100 rpm, 3 ounces per minute
(90 ml per minute)

Tubing Material

Norprene, 1/4" OD, 1/8" ID

Coin Battery Back-up

3 Volt Lithium BR2032 or
CR2032 (installed)

Regulatory

	CSA	CE
115 VAC/U.S.	YES	YES
230 VAC/E.U.		YES
6 Volt	YES	YES

Flexible Solutions Ltd.
1 (800) 661-3560
sales@flexiblesolutions.com
www.flexiblesolutions.com